



MANHOLE series pumps

Versatile, really robust and definitely mobile



Ideal for water, storm water and sewerage



MBH[®] PUMPS



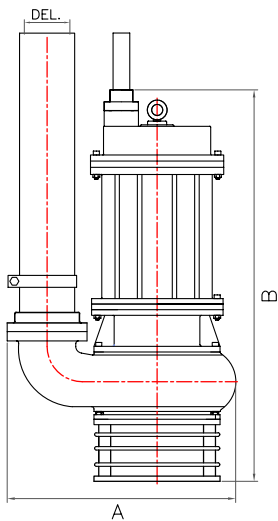
The MANHOLE series pumps for tough sites

When you are working against the clock to meet dewatering demands during floods, sewer clogging or drainage overflow, you need everything to go right. That's why you need MBH MANHOLE pumps with its smart capabilities and intelligence built-in.

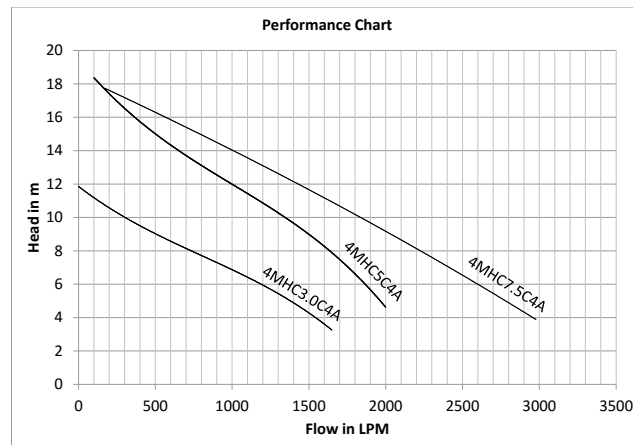
Unique Features

- Moisture sensor
- Over heating protection
- Reverse rotation protection
- Single phase preventer
- Dry running protection
- High torque for solid handling upto 80 mm

MBH MANHOLE Series pumps are capable of dewatering upto 180 m³/hour at distances upto 2 km.



MANHOLE size nationwide is 600 mm and 540 mm, with its smart dimensions MBH MANHOLE pumps can be lowered in any manhole. All you need is a tripod or hydraulic crane.



Model	hp	Outlet (mm)	A (mm)	B (mm)	Weight (kg)
4MHC7.5C4A	7.5	100	550	965	200
4MHC5.0C4A	5.0	100	480	830	140
4MHC3.0C4A	3.0	100	480	736	105

Protection Category :IP 68
Maximum temperature 60 °C

Plan your monsoon ahead of time with MBH Dewatering pumps. We have mobile multipurpose pumps that goes to work at local utilities, residential area, industries, construction and tunneling, mining for any emergency dewatering



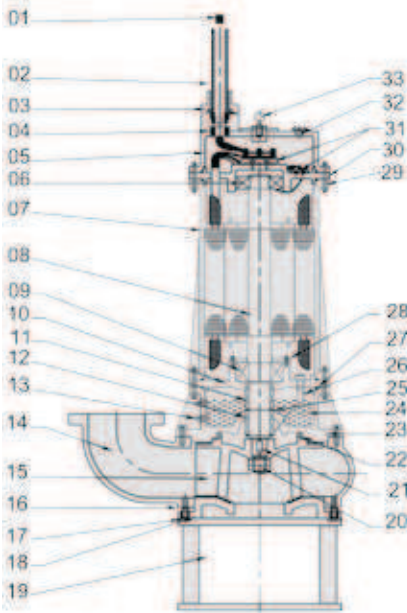
specifications and performance are subject to change without prior notice.

MBH[®] PUMPS

Plot No. 14, G.I.D.C. Indl. Estate,
Naroda, Ahmedabad - 382 330, India.
Phone : 079-2282 3066, 2282 1018
Fax : 079-2282 1511
E-mail : marketing@mbhpumps.com
Website : www.mbhpumps.com



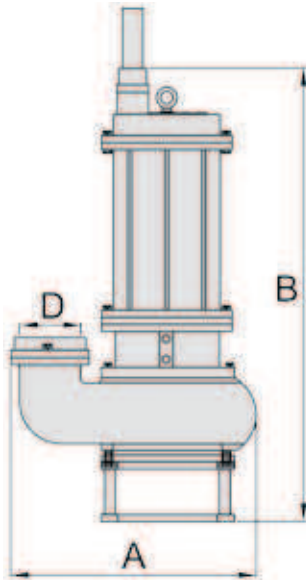
Cross Section



NO.	DESCRIPTION	MATERIAL
1	CABLE	PVC. INSU. SHEATHED
2	CABLE PROTECTOR	NITRILE RUBBER
3	GLAND COVER	C.I. IS-210, FG260
4	CABLE GROMMET	NITRILE RUBBER
5	TOP COVER	C.I. IS-210, FG260
6	BALL BEARING (N.D.E.)	STD. MAKE
7	STATOR BODY	C.I. IS-210, FG260
8	ROTOR SHAFT	S.S. 410
9	BALL BEARING (D.E.)	STD. MAKE
10	BEARING HOUSING	C.I. IS-210, FG260
11	MECH. SEAL (UPPER)	C / Cr. Steel
12	MECH. SEAL (LOWER)	Si.C. / Si.C.
13	OIL PLUG	S.S.
14	VOLUTE	C.I. / S.S.
15	IMPELLER	C.I. / S.S.
16	HEX BOLT	S.S.

NO.	DESCRIPTION	MATERIAL
17	ADJUSTING SCREW	S.S.
18	SPIRAL PLATE (WEAR PLATE)	C.I.
19	PUMP STAND	M.S.
20	IMPELLER NUT	S.S.
21	IMPELLER KEY	S.S.
22	NECK RING	G.M. / S.S.
23	OIL CHAMBER	C.I. IS-210, FG260
24	OIL	HYLUBE. MILCY-Gr-40
25	EXTERNAL CIRCLIP	SPRING STEEL
26	ELECTRODE	ALUMINIUM
27	'O1 RING SET	NITRILE RUBBER
28	BBC	C.I. IS-210, FG260
29	ALLEN BOLTS	S.S
30	TOP BRG. COVER	C.I. IS-210, FG260
31	TERMINAL PLATE	BAKELITE / DMC
32	PLUG	S.S.
33	EYE BOLT	S.S.

GA Drawing



All Dimension are in mm

MODEL	HP	A	B	D	Weight in KG.
4MHC3C4A	3.0	480	736	100	105
4MHC5C4A	5.0	480	825	100	141
4MHC7.5C4A	7.5	545	962	100	206

MODEL IDENTIFICATION

Example : PUMP MODEL 4MHC7.5C4A

4	MH	C	7.5	C	4	A
2 - Poles 4 - Poles	Type of Pumps Man Hole Sewage Pumps	M.O.C. of Pump C - C.I. S - S.S.	HP 30 HP	M.O.C. of Impeller C - C.I. S - S.S.	4" - Delivery Out Let	Pump Version

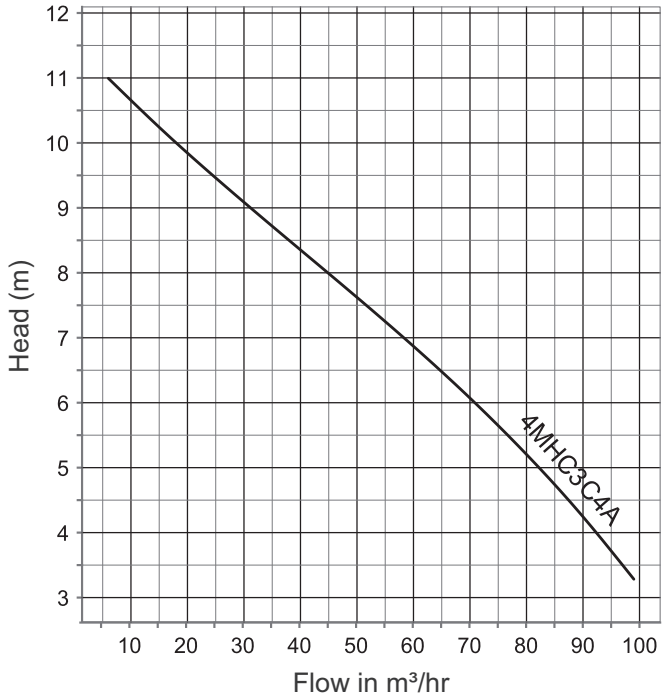
Performance Chart

MODEL	HP/KW	Del. Size mm	DISC. IN LPM	HEAD IN METERS																
				3	4	5	6	7	8	9	10	11	12	13	14	15	16	17	18	
4MHC3C4A	3.0 / 2.2	100		1650	1590	1390	1050	1020	826	500	300	100								
4MHC5C4A	5.0 / 3.7	100			2000	1950	1900	1800	1700	1500	1350	1020	900	800	700	601	420	250	100	
4MHC7.5C4A	7.5 / 5.5	100				2978	2750	2600	2400	2250	2050	1800	1600	1480	1240	1000	830	500	300	170

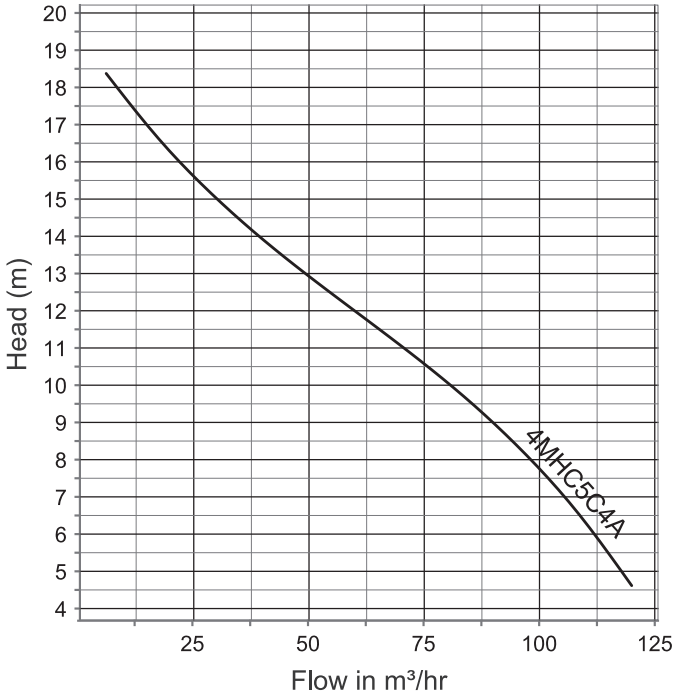
Manhole Series Pumps

Performance Curves • 1450 RPM (400/440 V, 3 Phase, 50 Hz, A.C. Supply)

3 HP



5 HP



7.5 HP

