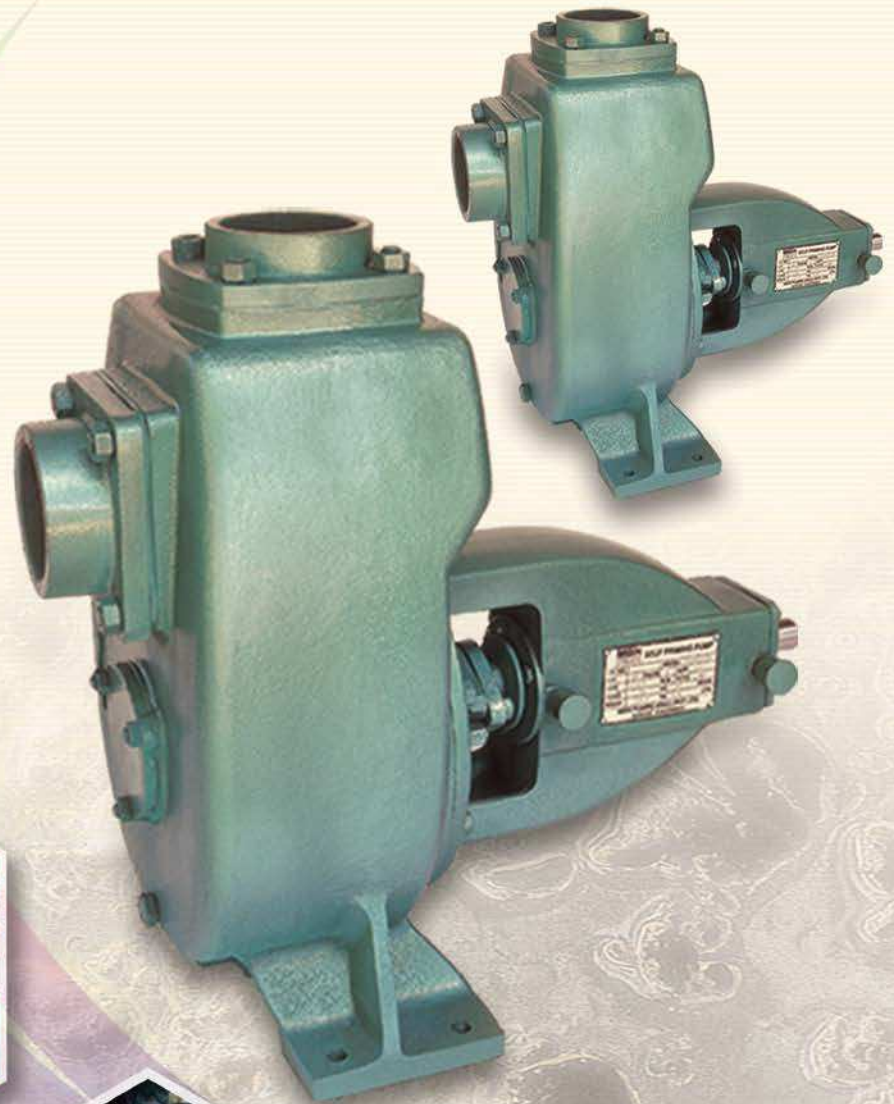


MBH PUMPS®

Self Priming Centrifugal Pumps



ISO 9001:2008
Certified Company

A Mark of Quality

Self Priming Centrifugal Pumps

RANGE :

Head : upto 34 Mtrs.
Capacity : upto 74 Litre/second
Power Rating
For Motor Drive : 1.0 HP to 25 HP
For Engine Drive : 5.0 HP to 12.5 HP

APPLICATIONS :

Public Utilities : For pumping muddy water, sewage, polluted liquids, solid and swimming pool.

Industry : Transfer of clean or dirty neutral, acid or alkali liquids containing sand, mud or solids in suspension, clean or dirty low viscosity petroleum products or solvents, milk of lime, caustic soda, washing, cooling, smoke scrubbing, emergency duty.

Civil Engineering : Food drainage, sewage pumping, fire fighting, recovery of dangerous liquid.

Waste Treatments : Pumping, hot or corrosive waste water containing sand, mud or solids in suspension, dosing neutralising liquids, pumping out settled sludge.

Construction Industry : Dewatering excavation, canals or ponds, ground water dewatering with well point systems or drains, water supply from well or canals, hosing down concrete castings.

SPECIAL FEATURES :

- Excellent quick automatic priming action without foot valve.
- Automatic air release during priming.
- Backpull out design, so easy maintenance without disturbing pipelines.
- Dynamically balanced rotating parts ensure less vibrations.
- Better efficiency as per with internationally available pumps.
- Available in bare, coupled, Monoblock version.
- Less expensive and easily available spares.
- Pumps can be fitted with mechanical seal as per customer requirements.
- Also offered pump with trolley / trailer to move it from one place to another.
- Very simple construction, only two moving parts.

MATERIAL OF CONSTRUCTION :

Standard Supply :

Casing : Cast Iron
Impeller : Cast Iron
Shaft : EN - 8
Sleeve : SS - 410

Optional Supply :

Casing : SS 304 / 316 / Bronze
Impeller : SS 304 / 316 / Bronze
Shaft : SS 410 / 304 / 316
Sleeve : SS 304 / 316
Shaft Seal : Mechanical Seal, Teflon

PERFORMANCE TABLE OF SELF PRIMING MUDDY PUMPS

MODEL	SIZE (MM)	SOLID SIZE in MM	H.P.	RATED SPEED	TOTAL HEAD IN METERS														D	DR		
					6	8	10	12	14	15	18	20	24	25	26	28	30	32			34	
Motor Coupled					CAPACITY IN LITRE/SECOND (LPS)																	
1.5 MBH SP 7	40x40	7.0	1.0	2850	5.1	4.4	3.9	3.4	2.1	1.0											M	A
1.5 MBH SP 9	40x40	8.5	2.0	2850			6.3	5.5	4.7	4.3	2.6	0.7									M	A
2 MBH SP 11	50x50	10.5	3.0	2900			9.0	8.6	7.9	7.5	6.2	5.1	2.4	1.3							M	A
3 MBH SP 16	80x80	15.5	5.0	1450	19.5	18.4	17.1	15.3	13.2	11.4	5.1										M	C
4 MBH SP 23	100x100	16.5	10.0	1450			35.0	32.8	30.2	28.7	24.2	21.2	12.6	9.8							M	C
4 MBH SP 23S	100x100	23.0	12.5	1450			41.7	39.2	35.7	34.2	29.6	26.1	18.1	15.8	12.6						M	C
3 MBH SP 7	80x80	7.0	5.0	2850								9.7	8.0	7.4	6.9	5.9	5.0	3.7			M	C
3 MBH SP 14	80x80	8.0	7.5	2850								15.0	14.3	13.8	13.2	11.7	9.8	7.5	4.9		M	C
6 MBH SP 40	150x150	40.0	25.0	1450			74.1	71.6	67.7	58.1	51.4	33.3	27.0	19.4							M	C
6 MBH SP 40LA	150x150	34.0	20.0	1450			65.8	62.9	59.1	57.0	48.5	42.0	22.8								M	C
Engine Coupled																						
3 MBH SP 16	80x80	15.5	6	1500			17.5	15.3	13.9	12.3	8.4	5.8	3.4								E	C
3 MBH SP 16	80x80	15.5	12	1800					22.3	20.5	18.8	13.6	11.9	10.0	5.9						E	C
4 MBH SP 23	100x100	16.5	12	1500			36.0	33.6	32.3	28.1	24.8	17.0	14.3	11.3							E	C
4 MBH SP 23S	100x100	23.0	14	1500			41.2	38.8	37.9	33.8	30.3	21.3	18.3	15.8	9.6						E	C
6 MBH SP 40	150x150	34.0	22	1500			67.8	65.9	63.8	61.9	53.3	47.8	32.6	28.1	22.3						E	C
6 MBH SP 40LA	150x150	40.0	26	1500			77.1	74.2	71.7	70.6	62.7	56.7	41.9	38.1	31.8						E	C

Note : • Due to continuous improvement in product, the data is subject to change without prior notice.
• Above mentioned discharge is for clear cold water.
• For slurry application, one higher size hp motor should be used.

• Abbreviations are as follows :
D : Drive DR : Direction of Rotation C : Clockwise
A : Anticlockwise M : Electric Motor E : Engine

MBH[®]
PUMPS

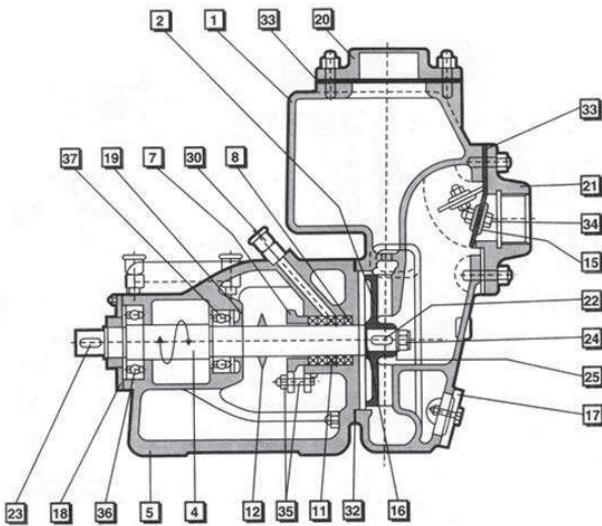
mbh pumps (gujarat) pvt. ltd.

Office & Factory :
Plot No. 14, G.I.D.C. Naroda Indl. Estate,
Ahmedabad - 382 330, India.
Phone : +91-79-2282 3066, 2282 1018
E-mail : marketing@mbhpumps.com
Website : www.mbhpumps.com

Authorised Dealer :

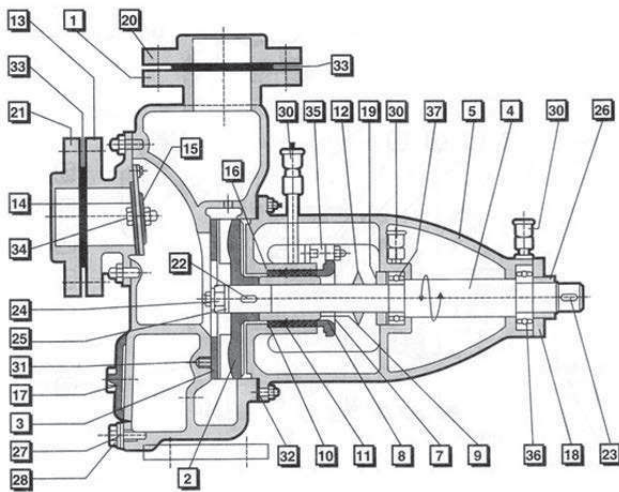
Centrifugal Self Priming Pumps

Cross Section • Model : 1.5 MBH SP 7



NO.	DESCRIPTION	NO.	DESCRIPTION
1	PUMP BODY	20	FLANGE-DELIVERY SIDE
2	IMPELLER (C.I.)	21	FLANGE-SUCTION SIDE
4	PUMP SHAFT	22	KEY FOR IMPELLER
5	BEARING HOUSING	23	KEY FOR COUPLING
7	GLAND BUSH	24	IMPELLER NUT
8	GLAND PACKING SET	25	WASHER FOR IMPELLER NUT
11	LANTERN RING	30	GREASE CUP
12	WATER DEFLECTOR	32	PACKING FOR BEARING HOUSING (PAPER)
15	WEIGHT FOR FLAP VALVE	33	RUBBER PACKING FOR DEL.+SUC. FLANGE
16	GASKET (SHIM-BRASS)	34	NUT, BOLT & WASHER FOR FLAP VALVE
17	INSR WINDOW COVER	35	T-BOLT WITH NUT FOR GLAND-BUSH
18	BEARING COVER COUPLING SIDE	36	BEARING AT DRIVE END
19	BEARING COVER (NON-DRIVE END)	37	BEARING AT NON-DRIVE END

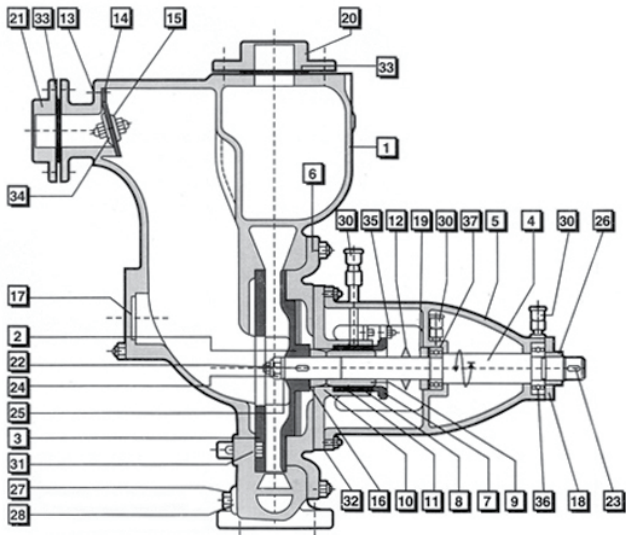
Cross Section • Model : 1.5 MBH SP9, 2 MBH SP 11, 3 MBH SP 16



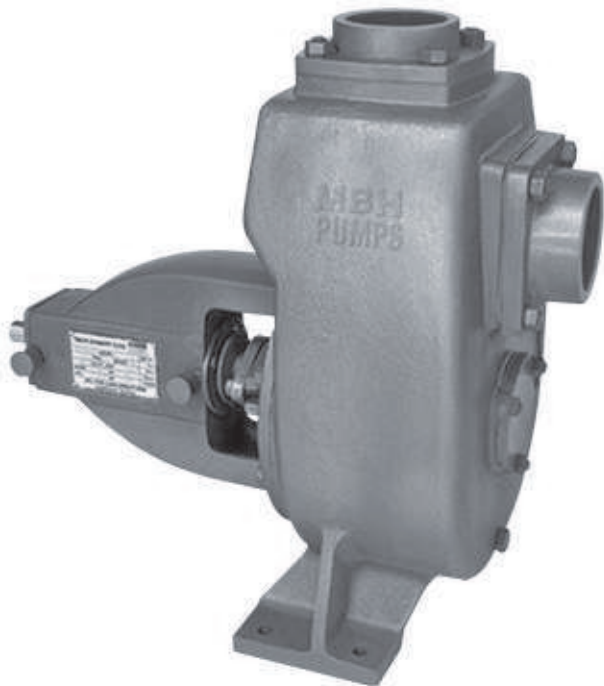
NO.	DESCRIPTION	NO.	DESCRIPTION
1	PUMP BODY	20	FLANGE-DELIVERY SIDE
2	IMPELLER (C.I.)	21	FLANGE-SUCTION SIDE
3	WEARING PLATE	22	KEY FOR IMPELLER
4	PUMP SHAFT	23	KEY FOR COUPLING
5	BEARING HOUSING	24	IMPELLER NUT
6	STUFFING HOUSING	25	WASHER FOR IMPELLER NUT
7	GLAND BUSH	26	BEARING LOCK NUT
8	GLAND PACKING SET	27	DRAIN PLUG
9	SHAFT SLEEVE (S.S.)	28	DRAIN PLUG WASHER
10	WASHER FOR STUFFING BOX PACKING	29	WATER PLUG (PRIMING HOLE)
11	LANTERN RING	30	GREASE CUP
12	WATER DEFLECTOR	31	COUNTER SUNK SCREW FOR WEAR PLATE
13	SUCTION HOUSING	33	PACKING FOR BEARING HOUSING (PAPER)
14	FLAP VALVE (RUBBER)	34	RUBBER PACKING FOR DEL.+SUC. FLANGE
15	WEIGHT FOR FLAP VALVE	35	NUT, BOLT & WASHER FOR FLAP VALVE
16	GASKET (SHIM-BRASS)	36	T-BOLT WITH NUT FOR GLAND-BUSH
17	INSP. WINDOW COVER	37	BEARING AT DRIVE END
18	BEARING COVER COUPLING SIDE	38	BEARING AT NON-DRIVE END
19	BEARING COVER (NON-DRIVE END)		

Centrifugal Self Priming Pumps

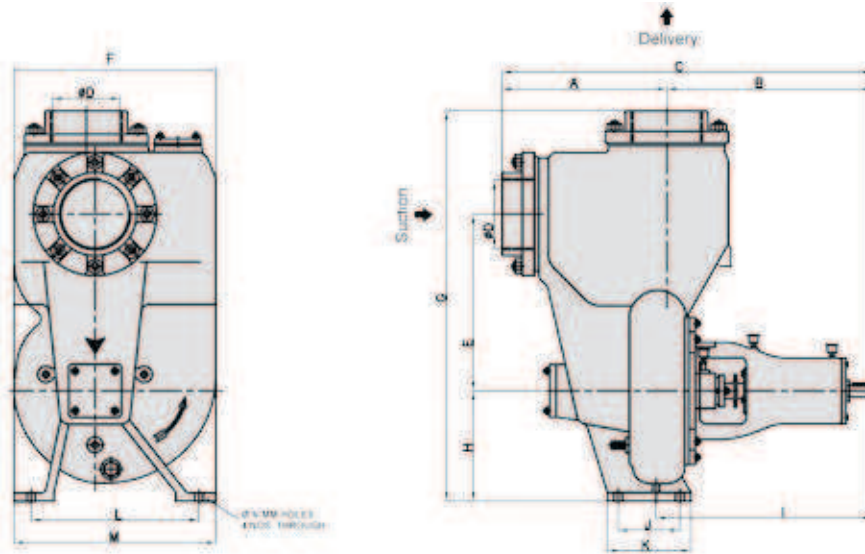
Cross Section • Model : 4 MBH SP 23



No.	DESCRIPTION	No.	DESCRIPTION
1	PUMP BODY	20	FLANGE-DELIVERY SIDE
2	IMPELLER (C.I.)	21	FLANGE-SUCTION SIDE
3	WEARING PLATE	22	KEY FOR IMPELLER
4	PUMP SHAFT	23	KEY FOR COUPLING
5	BEARING HOUSING	24	IMPELLER NUT
6	STUFFING HOUSING	25	WASHER FOR IMPELLER NUT
7	GLAND BUSH	26	BEARING LOCK NUT
8	GLAND PACKING SET	27	DRAIN PLUG
9	SHAFT SLEEVE (S.S.)	28	DRAIN PLUG WASHER
10	WASHER FOR STUFFING BOX PACKING	29	WATER PLUG (PRIMING HOLE)
11	LANTERN RING	30	GREASE CUP
12	WATER DEFLECTOR	31	COUNTER SUNK SCREW FOR WEAR PLATE
13	SUCTION HOUSING	33	PACKING FOR BEARING HOUSING (PAPER)
14	FLAP VALVE (RUBBER)	34	RUBBER PACKING FOR DEL. +SUC. FLANGE
15	WEIGHT FOR FLAP VALVE	35	NUT, BOLT & WASHER FOR FLAP VALVE
16	GASKET (SHIM-BRASS)	36	T-BOLT WITH NUT FOR GLAND-BUSH
17	INSP. WINDOW COVER	37	BEARING AT DRIVE END
18	BEARING COVER COUPLING SIDE	38	BEARING AT NON-DRIVE END
19	BEARING COVER (NON-DRIVE END)		



GA Drawing Dimension



All Dimension are in mm

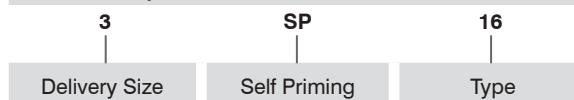
MODEL	HP	PIPE SIZE	A	B	C	D	E	F	G	H	I	J	K	L	M	N	O	P	Q	R	S	Weight in KG.
1.5MBHSP7	1/2850	40x40	136	282	418	40	103	180	365	98.5	88	125	176	105	145	ø11	20	32	6	22	ø19	34
1.5MBHSP9	2/2850	40x40	195	365	560	40	80	246	402	130	335	80	120	220	253	ø14	20	30	6	23	ø20	50
2MBHSP11	3/2850	50x50	195	365	560	50	80	255	430	130	335	80	120	220	253	ø14	20	30	6	23	ø20	54
3MBHSP7	5/2850	80x80	232	410	642	80	100	302	518	170	378	95	143	260	310	ø14	25	35	8	27	ø24	91
3MBHSP14	7.5/2850	80x80	232	410	642	80	100	302	518	170	378	95	143	260	310	ø14	25	35	8	27	ø24	83
3MBHSP16	5/1450	80x80	174	416	590	75	170	332	545	205	347	90	140	292	237	ø14	25	35	8	27	ø30	84
4MBHSP23	10/1450	100x100	302	440	742	100	285	475	645	205	381	100	150	380	427	ø14	40	45	8	27.5	ø24	175
4MBHSP23S	12.5/1450	100x100	302	440	742	100	285	475	645	205	381	100	150	380	427	ø14	40	45	8	27.5	ø24	180
6MBHSP40L	20/1450	150x150	373	468	841	150	400	458	869	250	438	140	190	380	458	ø19	45	52	10	35	ø30	215
6MBHSP40	25/1450	150x150	373	468	841	150	400	458	869	250	438	140	190	380	458	ø19	45	52	10	35	ø30	220

Performance Chart

MODEL	Size mm	Solid Size mm	HP / RPM	HEAD IN METERS / OUTPUT IN LPM																			
				6	8	10	12	14	15	18	20	24	25	26	28	30	32	34					
1.5 MBH SP 7	40 x 40	7	1 / 2850	306	264	234	204	126	60														
1.5 MBH SP 9	40 x 40	8.5	2 / 2850			378	330	282	258	156	42												
2 MBH SP 11	50 x 50	10.5	3 / 2850			540	516	474	450	372	306	144	78										
3 MBH SP 16	80 x 80	15.5	5 / 1450	1170	1104	1026	918	792	684	306													
4 MBH SP 23	100 x 100	18.5	10 / 1450			2100	1968	1812	1722	1452	1272	756	588										
4 MBH SP 23S	100 x 100	23	12.5 / 1450			2502	2352	2142	2052	1776	1566	1086	948	756									
3 MBH SP 7	80 x 80	7	5 / 2850									582	480	444	414	354	300	222					
3 MBH SP 14	80 x 80	8	7.5 / 2850									900	858	828	792	702	588	450	294				
6 MBH SP 40	150 x 150	40	25 / 1450			4446	4296	4062	3486	3084	1998	1620	1164										
6 MBH SP 40LA	150 x 150	34	20 / 1450			3948	3774	3546	3420	2910	2520	1368											

MODEL IDENTIFICATION

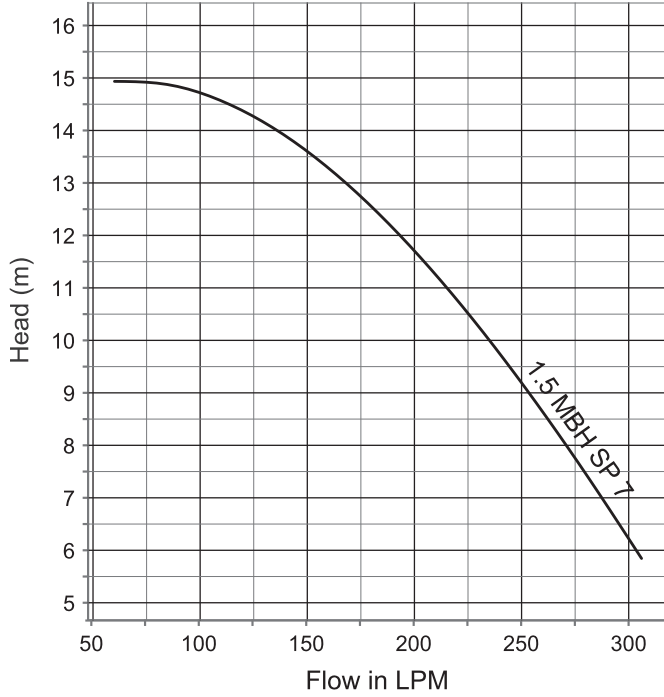
Example : PUMP MODEL 3 MBH SP 16



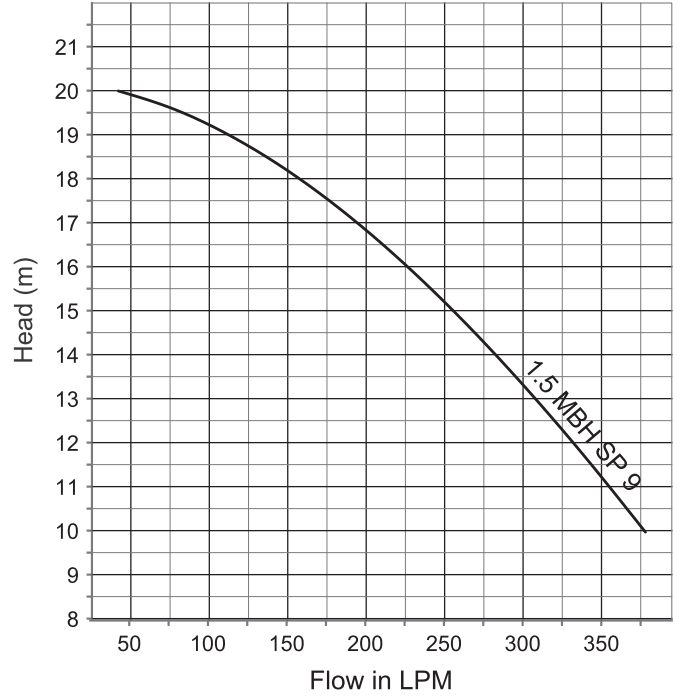
Centrifugal Self Priming Pumps

Performance Curves • 400/440 V, 3 Phase, 50 Hz, A.C. Supply

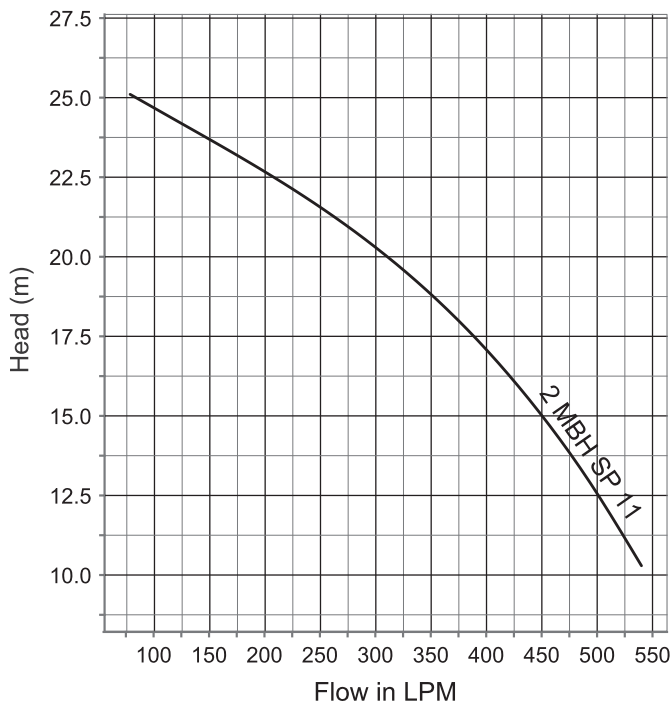
1 HP • 2900 RPM



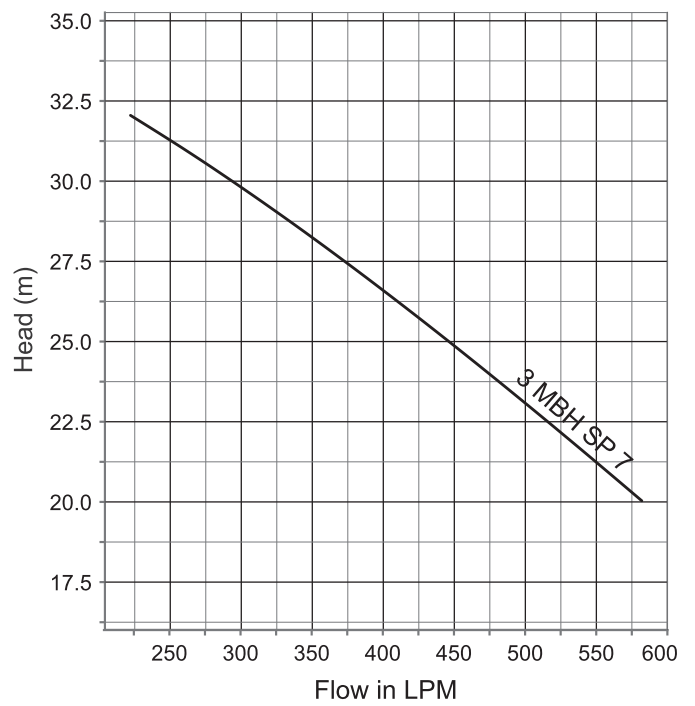
2 HP • 2900 RPM



3 HP • 2900 RPM



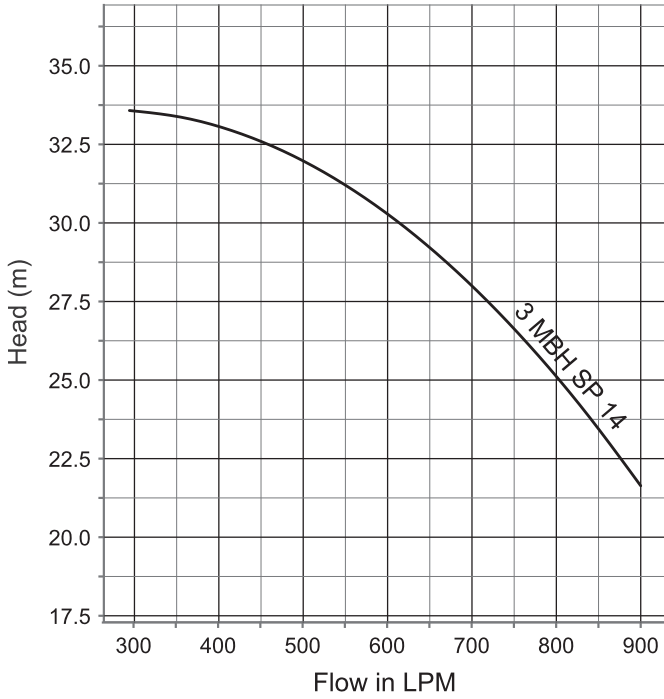
5 HP • 2900 RPM



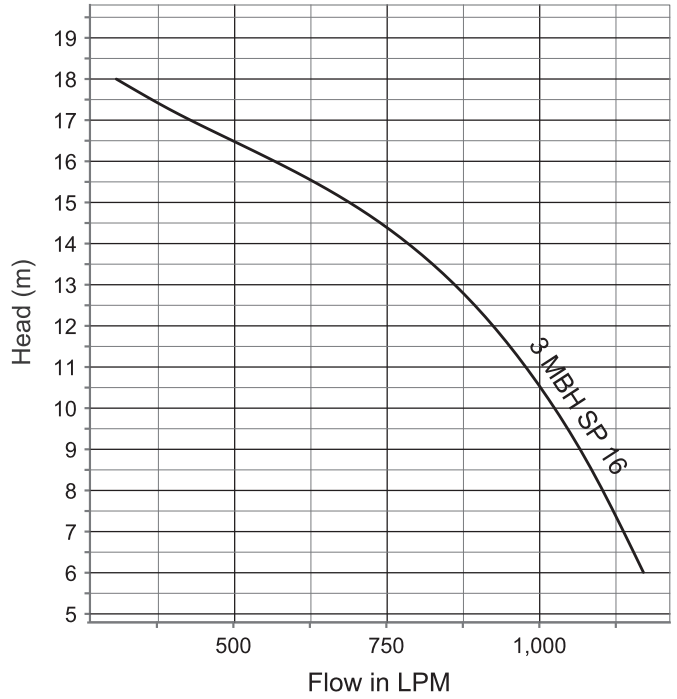
Centrifugal Self Priming Pumps

Performance Curves • 400/440 V, 3 Phase, 50 Hz, A.C. Supply

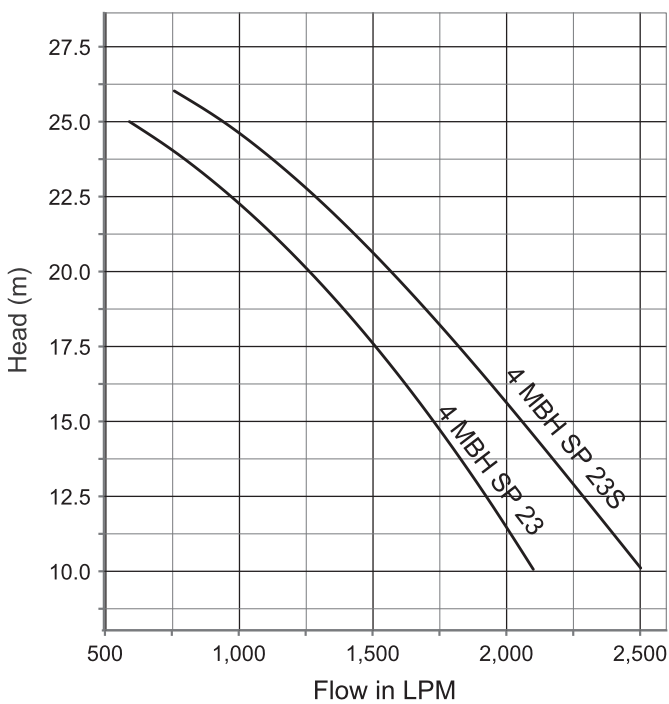
7.5 HP • 2900 RPM



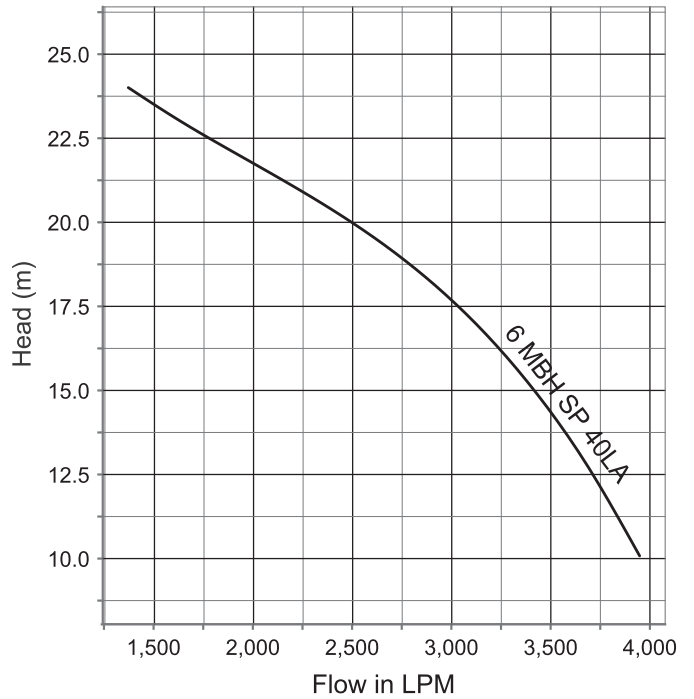
5 HP • 1450 RPM



10 HP, 12.5 HP • 1450 RPM



20 HP • 1450 RPM



Centrifugal Self Priming Pumps

Performance Curves • 400/440 V, 3 Phase, 50 Hz, A.C. Supply

25 HP • 1450 RPM

