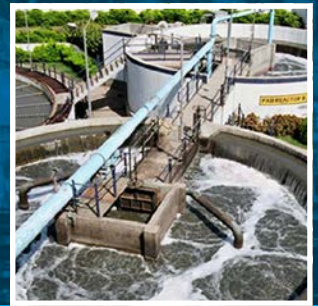


Reliable and efficient Pumps

Heavy Duty Industrial Solutions



**SUBMERSIBLE
DEWATERING PUMPS**

MBH[®]
PUMPS



ISO 9001:2008
Certified Company



MBH[®] PUMPS

SUBMERSIBLE DEWATERING PUMPS

PUMPSET FEATURES :

MBH Dewatering Pump sets are Portable Pumps units with Pump below and motor above Construction. The motor is submersible squirrel cage, induction type and dry type with class "F" insulation and IP 68 enclosure fitted with ball bearings & mechanical seals. it is rated for 415 +/- 10 % v, 3 Phase, 50 +/- 5 % c/s A.C. Supply.

The Pump motor unit of close coupled and jacketed construction design provide an effective water cooling of the motor by liquid flowing around the motor casing up in to the discharge main.

APPLICATION :

- Dewatering
- Storm Water
- Canal
- River Bed

NO.	PART NAME	MATERIAL
1	Delivery Flange	C.I. IS-210, FG-260
2	Discharge Out Let	Aluminium / C.I.
3	Top Brg. Cover	Aluminium / C.I.
4	Motor Body	Alu./ M.S./ S.S.
5	Bearing Housing	Aluminium / C.I.
6	Pump Casing	Aluminium / C.I.
7	Guide Vane	C.I. IS-210, FG-260
8	Impeller	C.I./S.S.
9	Neck Ring	C.I. IS-210, FG-260
10	Base	Aluminium / C.I.
11	Stainer	S.S.
12	Mech. Seal Lower	SIC./ SIC.
13	Mech. Seal Upper	C / Cr. Steel
14	Drian Plug	S.S.
15	"O" Ring	Ni. Rubber
16	Ball Brg. D.E.	FAG
17	Ball Brg. N.D.E.	FAG
18	All Pump Hardware	S.S.
19	Cable Gland	C.I.
20	Lifting Hook	S.S.
21	Cable	PVC Insu. Sheathed

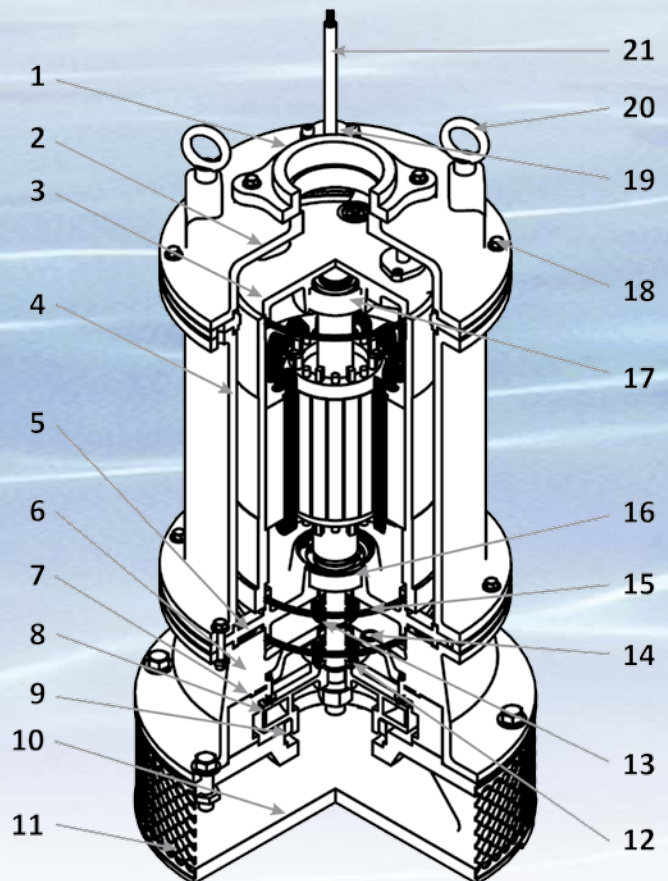
MATERIAL SPECIFICATION :

Pump Bowl : Cast Iron/ Alluminium / S.S
 Impeller : C.I / SS
 Motor Body : M.S. / Alluminium / S.S
 Motor Shaft : SS 410
 Cable : PVC Insulated multicore

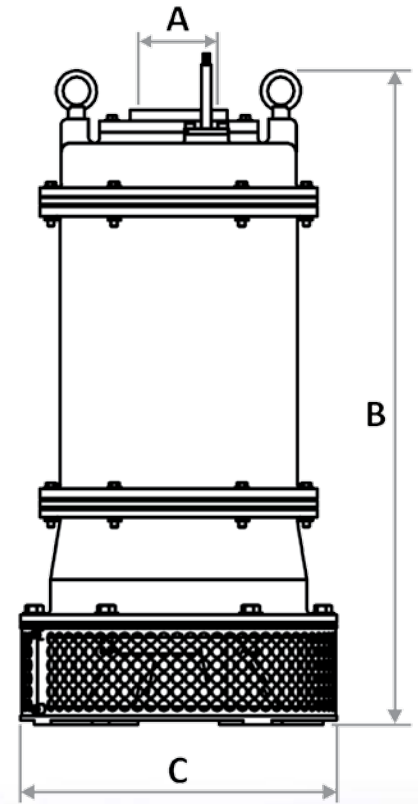
ADVANTAGE :

- It can Pump out liquid from the Lowest level
- Submersible installation, hence no need of foundation or pump house
- Cuts civil cost by nearly 50 %
- Can be installed in collection well
- Being portable, it can be shifted/handled easily

We also can supply the pumps in 50 Hz and 60 Hz with 540 Volts for Mining Application.



MODEL	HP	A	B	C
2DC1C2H	1	50	493	215
2DC2C2.5H	2	65	589	285
2DC3C2.5H	3	65	589	285
2DC5C3M	5	75	589	290
2DC5C3H	5	75	589	290
2DC7.5C4M	7.5	100	650	320
2DC7.5C4H	7.5	100	650	320
2DC10C4M	10	100	700	320
2DC10C4H	10	100	700	320
2DC15C4M	15	100	878	495
2DC15C4H	15	100	861	495
2DC20C6M	20	150	961	548
2DC20C6H	20	150	961	538
2DC25C6L	25	150	1006	548
2DC25C6H	25	150	1006	538
2DC30C6L	30	150	1006	538
2DC30C6H	30	150	1006	538



PERFORMANCE TABLE (2900 RPM)																					
MODEL	HP	DEL SIZE mm	SOLID SIZE	DISCHARGE IN LPM	HEAD IN METERS																
					6	8	10	12	14	16	18	20	24	26	30	35	40	45	50	55	60
2DC1C2H	1	50	10			380	330	286	220	194											
2DC2C2.5H	2	65	10		710	660	610	560	490												
2DC3C2.5H	3	65	6			850	780	725	630	575	425										
2DC5C3M	5	75	10			1380	1300	1220	840	230											
2DC5C3H	5	75	6							830	800	700	520	200							
2DC7.5C4M	7.5	100	10			2000	1850	1625	1400	1200	1000	800	500								
2DC7.5C4H	7.5	100	6							1200	1150	1110	950	825	600	200					
2DC10C4M	10	100	10				2000	1800	1500	1200	910	700									
2DC10C4H	10	100	6										1200	1150	980	730	530				
2DC15C4M	15	100	20					3080	2900	2400	2230	1950	1295	1020	450						
2DC15C4H	15	100	6										1620	1410	1270	1100	825				
2DC20C6M	20	150	20						3050	2800	2600	2400	1600	1400	750	400					
2DC20C6H	20	150	10											2200	2015	1616	1320	965			
2DC25C6L	25	150	20				4900	4750	4500	4360	4200	4000	3600	2000	1000						
2DC25C6H	25	150	6												2050	1850	1600	1150	770		
2DC30C6L	30	150	20					4900	4700	4640	4500	4300	4000	3800	2000	1000					
2DC30C6H	30	150	6														2000	1800	1500	1000	700



ISO 9001:2008
Certified Company

Manufacturing Facility at Ahmedabad (Gujarat) India



Our Other Products



*As improvements are made in design from time to time, specifications and performance are subject to change without prior notice.
Installation photographs shown in catalogue are for illustration only.*

MBH PUMPS

® mbh pumps (gujarat) pvt. ltd.

Office & Factory :
Plot No. 14, G.I.D.C. Naroda Indl. Estate,
Ahmedabad - 382 330, India.
Phone : +91-79-2282 3066, 2282 1018
E-mail : marketing@mbhpumps.com
Website : www.mbhpumps.com

Authorised Dealer :